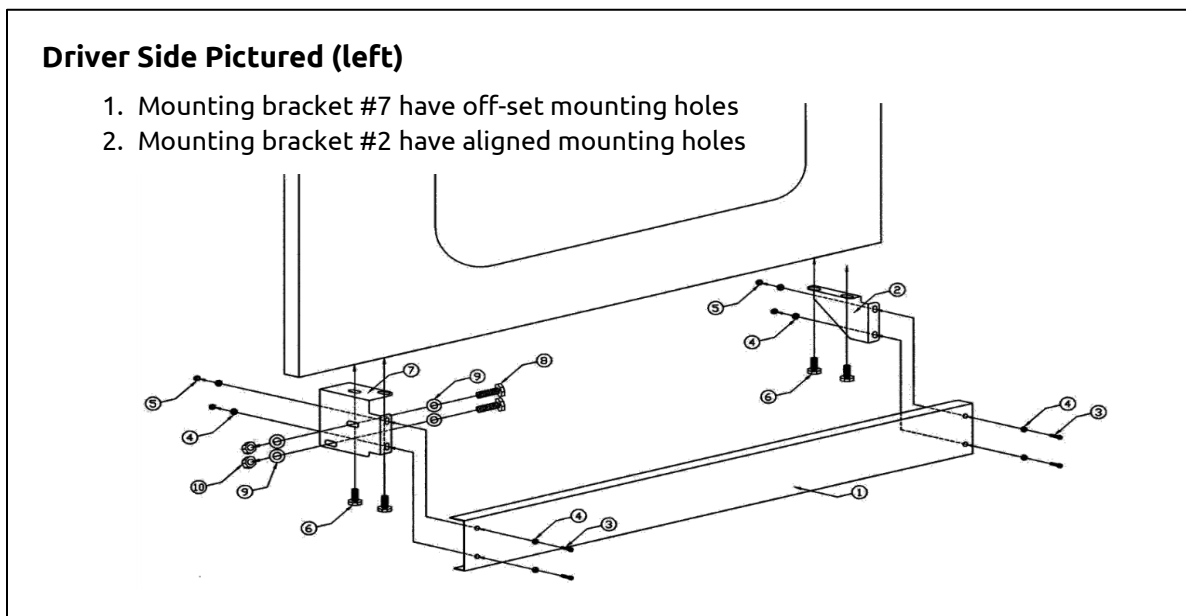


CAB SKIRTS International 9400

Components Included in the Kit:

1. Driver side cab skirt	(See #1 in Figure 1)	QTY 1
2. Passenger side cab skirt	(See #1 in Figure 1)	QTY 1
3. Driver side mounting bracket	(See #2 in Figure 1)	QTY 1
4. Passenger side mounting bracket	(See #2 in Figure 1)	QTY 1
5. Driver side mounting bracket	(See #7 in Figure 1)	QTY 1
6. Passenger side mounting bracket	(See #7 in Figure 1)	QTY 1
7. Mounting Hardware Kit includes:		QTY 1
- Screw Phillips head 10x32x1/2"	(See #3 in Figure 1)	QTY 8
- Washer flat #10 stainless steel	(See #4 in Figure 1)	QTY 16
- Nylon lock nut #10-32 Stainless	(See #5 in Figure 1)	QTY 8
- 1/4-20 x 1 1/2" Hex head	(See #8 in Figure 1)	QTY 4
- 1/4-20 nylon lock nut s.s.	(See #10 in Figure 1)	QTY 4
- 1/4" flat washer s.s.	(See #9 in Figure 1)	QTY 8
- #14 x 3/4 zinc tapping screw	(See #6 in Figure 1)	QTY 8

Figure 1:

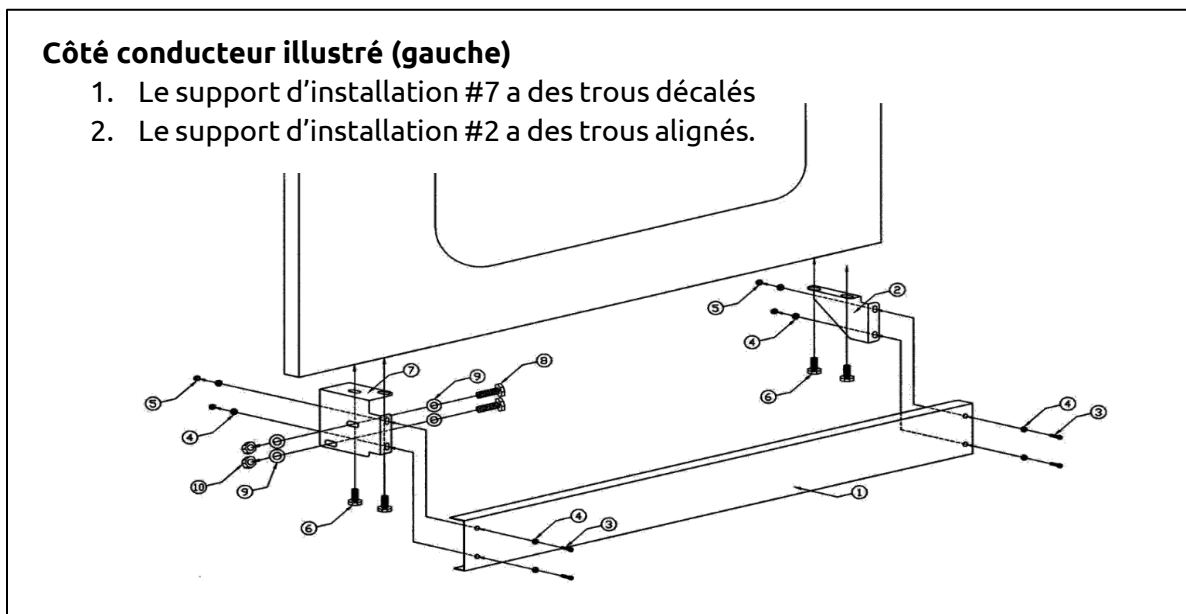


PANNEAUX DE CABINE International 9400

Liste des pièces:

1. Panneau de cabine de gauche	(#1, Image 1)	QTY 1
2. Panneau de cabine droit	(#1, Image 1)	QTY 1
3. Supports de cabine gauche	(#2, Image 1)	QTY 1
4. Supports de cabine droit	(#2, Image 1)	QTY 1
5. Supports de cabine gauche	(#7, Image 1)	QTY 1
6. Supports de cabine droit	(#7, Image 1)	QTY 1
7. Kit de quincaillerie d'installation contenant:		QTY 1
- Vis 10x32x1/2" à tête Phillips	(#3, Image 1)	QTY 8
- Rondelles plates #10 en acier inoxydable	(#4, Image 1)	QTY 16
- Contre-écrous nylon #10-32 acier inoxydable	(#5, Image 1)	QTY 8
- Boulon hex 1/4-20 x 1 1/2"	(#8, Image 1)	QTY 4
- Contre-écrous nylon 1/4-20 acier inoxydable	(#10, Image 1)	QTY 4
- Rondelles plates 1/4" acier inoxydable	(#9, Image 1)	QTY 8
- Vis autotaraudeuses #6 #14 x 3/4 zinc	(#6, Image 1)	QTY 8

Image 1:



PANELES DE CABINA International 9400

Lista de repuestos:

1. Pánel cabina izquierda	(#1, Imagen 1)	QTY 1
2. Pánel cabina derecho	(#1, Imagen 1)	QTY 1
3. Soporte montaje cabina izquierdo	(#2, Imagen 1)	QTY 1
4. Soporte montaje cabina derecho	(#2, Imagen 1)	QTY 1
5. Soporte montaje cabina izquierdo	(#7, Imagen 1)	QTY 1
6. Soporte montaje cabina derecha	(#7, Imagen 1)	QTY 1
7. Kit de quincaillerie d'installation contenant:		QTY 1
- Tornillo cabeza Phillips 10x32x1/2"	(#3, Imagen 1)	QTY 8
- Arandela plana #10 acero inoxidable	(#4, Imagen 1)	QTY 16
- Tuerca con nylon #10-32 acero inox	(#5, Imagen 1)	QTY 8
- Cabeza hexagonal 1/4-20 x 1 1/2" #8	(#8, Imagen 1)	QTY 4
- Tuerca nylon 1/4-20 s.s. #10	(#10, Imagen 1)	QTY 4
- Arandelas planas 1/4" s.s. #9	(#9, Imagen 1)	QTY 8
- Tornillo zinc #14 x 3/4 #6	(#6, Imagen 1)	QTY 8

Imagen 1:

