

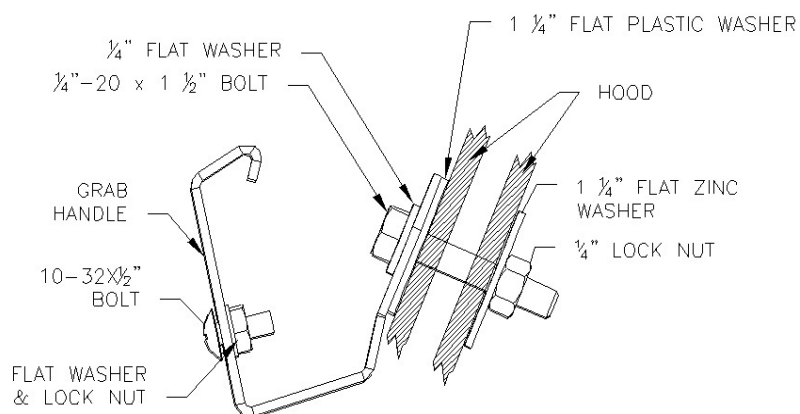
Stainless Steel Accessories

VOLVO VNL – FRONT GRILLE SURROUND

INSTALLATION INSTRUCTIONS

INSTALLATION TIP: Use pieces of masking tape to mark the outer (Silver) edge of the grille where it contacts the front of the hood prior to removal to ensure proper Surround coverage when installing.

1. Remove grille from truck by taking out (4) top bolts and (2) bottom bolts. The grille then slides down and can be removed. Save removed bolts for later re-install of front grille.
2. Find and mark the center of the hood by measuring between the body lines of the hood.
3. Top section of the Surround can be placed across the hood (horizontally) and will sit just above the raised offset from behind the grille and centered within the body lines of the hood.
4. Mark and drill center mounting slot location with 7/32" (.281") drill.
5. Place top section of Surround back onto the hood and temporarily install (1) 3/4" long fastener to hold in place.
6. Mark other 4 mounting slots.
7. Ensuring top section of Surround doesn't move; hold Grab Handles in place with corresponding locations and mark hood for later drilling.
8. Remove top section of Surround. Drill four previously marked mounting slots 7/32" (.281") and four previously marked hood locations 9/32" (.281") **NOTE: Hood is a double layer.**
9. Peel plastic from Grab Handles and attach to hood. Leave loose enough for final adjustment closer to end.



10. Peel plastic from around the Grab Handle mounting holes and five mounting slots from the Surround top section.
11. Attach top section of Surround to hood. 1/2" hardware for the Grab Handle and 3/4" for the 5 slotted holes.
12. Tighten fasteners slightly that were installed in previous step, leaving loose enough for final adjustments towards end of installation.

Stainless Steel Accessories

13. Temporarily secure the sides of Surround to the top section, by sliding under top section.
14. Ensure Surround sides cover the tape sections, edge of the grille placed in the first step. Also ensure sides conform nicely to truck. (No bulges in stainless) Mark hole locations.
15. Remove side(s) and drill marked hole locations $7/32''$ (.218'')
16. Peel plastic from sides where they slide under the top section of Surround and from the lower tab hole location.
17. Remove masking tape markers and attach sides. Sides slide under top section of Surround and join together with $1/2''$ long fasteners and $3/4''$ long fastener into drilled hood locations.
18. Ensure everything is still aligned properly and tighten 5 fasteners in the slotted holes of the top section. Working from center – out.
19. Tighten fasteners of Surround and Grab Handle(s)
20. Tighten sides of Surround to top section of Surround where the two overlap joining the two together followed by the fasteners into the hood.
21. Tighten $1/4''$ hardware for the Grab Handles onto the hood. **NOTE: Over tightening could result in hood damage due to collapse between the double layers of the hood!**
22. Peel remaining protective coating and reinstall front grille.
23. Wipe with glass cleaner and soft cloth if necessary.