

CAB COWL TRIM WITH ¾" RD LEDS Western Star 49X SFA

INSTALLATION INSTRUCTIONS:

1. Hold the trim panel in place against the cab cowl panel and mark the locations of the mounting holes and the light holes.
2. Remove the trim panel and drill two 1/4" holes in the marked mounting hole locations.
3. Drill appropriately sized holes in the marked light hole locations. A 7/8" hole saw works well and will allow for some misalignment.
4. Peel the protective plastic away from the bolt hole locations and install the panel onto the truck using the supplied 10-32x3/4" carriage bolts, washers, and locknuts.
5. Install the supplied ¾" LEDS and connect the wiring harness as shown in Fig. 1. The two circled connectors are from the cab panel harness and will be connected. They will need to be disconnected in order to install the jumper harness.
6. Repeat the previous steps to install the opposite side.
7. Peel the protective plastic and wipe the panels with a soft cloth and glass cleaner if needed.

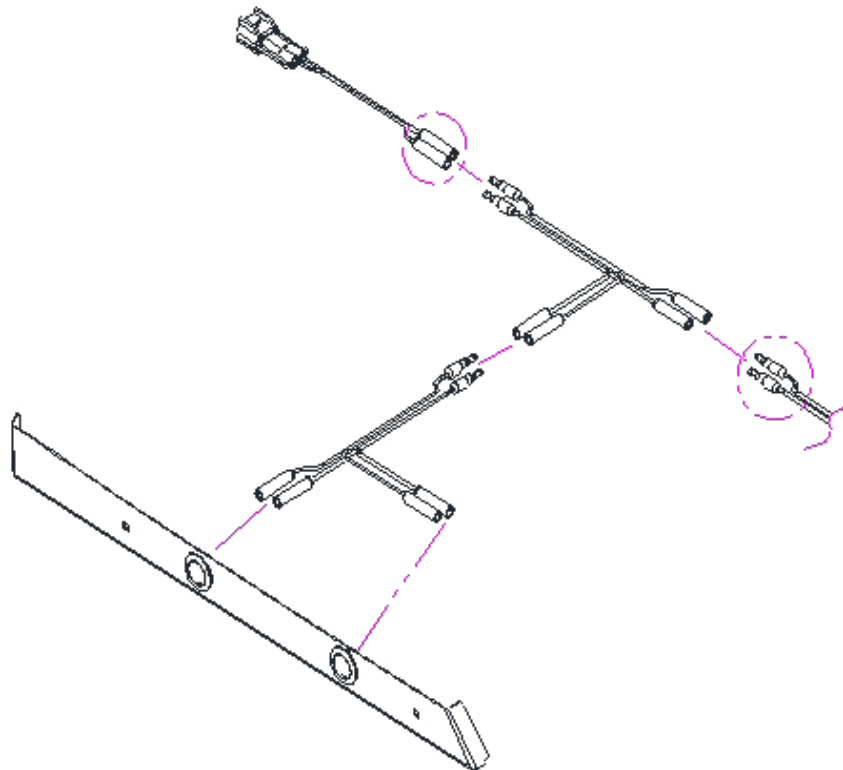


Fig. 1: Wiring Harness Configuration