

## BUMPER FILLER

### International HX520 W/Center Bumper Cutout

#### INSTALLATION INSTRUCTIONS:

1. Peel the protective plastic around the bolt holes & from both of the brackets.
2. Loosen the four bolts used to mount the forward sensor inside the bumper cutout.
3. Slide the bumper filler brackets behind the sensor mount and retighten the bolts enough to hold the brackets in place but still allow for some adjustment.
4. Hold the filler panel in place against the brackets to ensure that the nutserts are aligned with the slots in the panel.
5. Set the filler panel aside and finish tightening the bolts loosened in Step. 2.
6. Install the filler panel using the supplied ¼-20 truss head screws. It's recommended to use a small amount of silicone (not supplied) between the filler panel and the brackets to eliminate potential rattles.
7. Peel the remaining protective plastic and wipe the panel with a soft cloth and glass cleaner as needed.

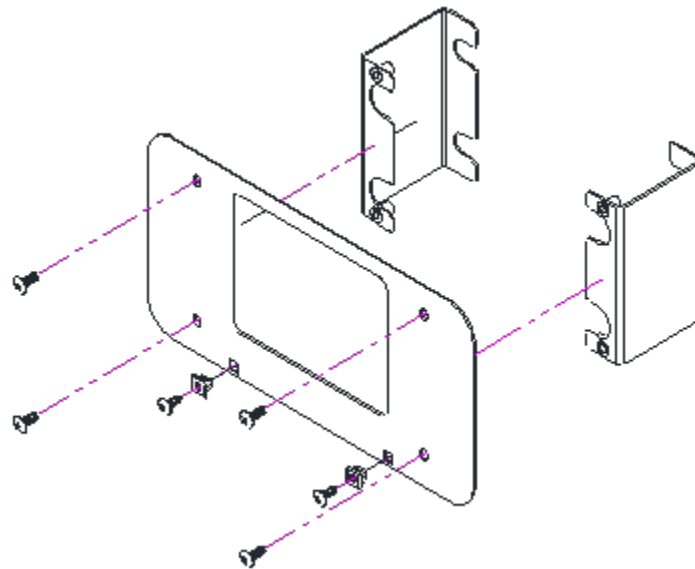


Fig. 1: Bumper Filler Panel Components