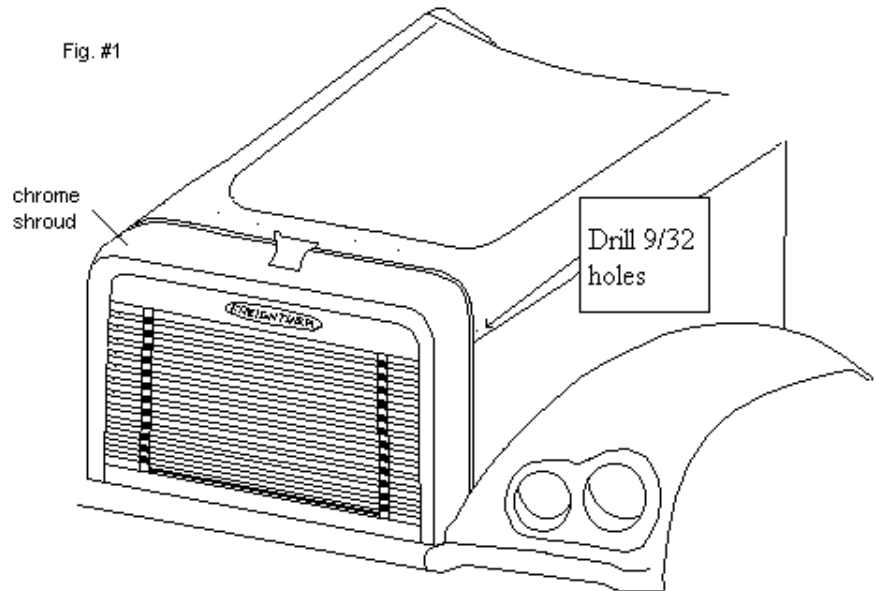
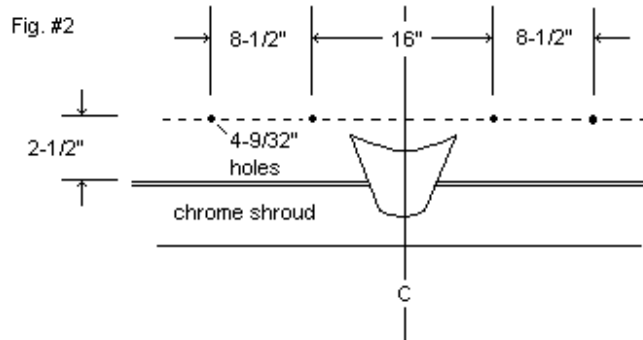


**Installation Procedure :**

1. Pull back plastic coating from the bottom edge of the Bug Deflector approx. 1/2"
2. Remove Plastic coating around all bolt holes.



3. Install rubber channel to bottom edge to protect from scratching.
4. Mark holes on top of hood as per Fig. #2
5. Drill 6-9/32" diameter holes as shown.
6. Place two brackets on top of hood and fasten as shown in Fig. #4
7. Place bug deflector on hood against brackets and fasten with supplied hardware.
8. Remove remaining protective plastic coating.



**NOTE:** It is advised to use "Lock-tite" or Silicone caulking on the side screws (1/4"-20 x 1" round head) to avoid possible loosening.

